

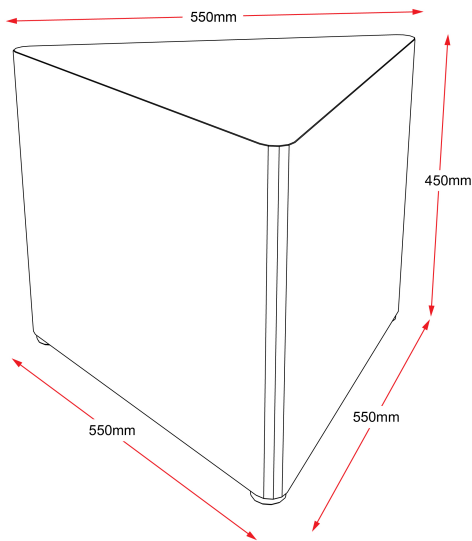


MARS TRIANGLE OTTOMAN

The Rapidline MARS upholstered ottoman features a firm, comfortable top seat and concealed feet for stability.

Perfect for commercial use in a reception, lounge, office or break out area.

Backed by a 5 year warranty.



PRODUCT DESCRIPTION

Mars Upholstered Triangle Ottoman - Charcoal Fabric
550mm D x 550mm W x 450mm H
Soft Charcoal Fabric Upholstery
Modular Ottoman with Concealed Black Feet
130 Kg Weight Rating
5 Year Warranty